

# KOHLER® COMMAND PRO® EFI

19–26.5 HP Engines



**KOHLER®**  
IN POWER. SINCE 1920.

# SAVES YOU CASH. AND LOTS OF IT.

Reducing operating costs on a single engine is good. Saving on an entire fleet? Now that could mean big changes for your business. With closed-loop electronic fuel injection, the KOHLER® Command PRO® EFI engine saves gas and reduces downtime—giving you the power to cut costs and cover more ground every day.



## KOHLER COMMAND PRO EFI

### COST-SAVING DESIGN

- Less downtime for refueling\*
- No carburetor—no carburetor maintenance or replacement costs

### MORE RELIABLE

- No choking and no priming
- Three year unlimited-hour commercial warranty

### EXCLUSIVE CLOSED-LOOP TECHNOLOGY

- Only closed-loop EFI engine in its class, more fuel-efficient than open-loop systems<sup>†</sup>
- ECU and O<sub>2</sub> sensor automatically optimize fuel mixture based on load, weather and altitude
- Closing the loop between air/fuel intake and exhaust output provides more power and fuel savings.

### EASY START

- Starts like your car—just turn the key and go
- No-choke starting whether it's hot or cold or after extended storage
- High-energy electronic ignition for quick and reliable starts

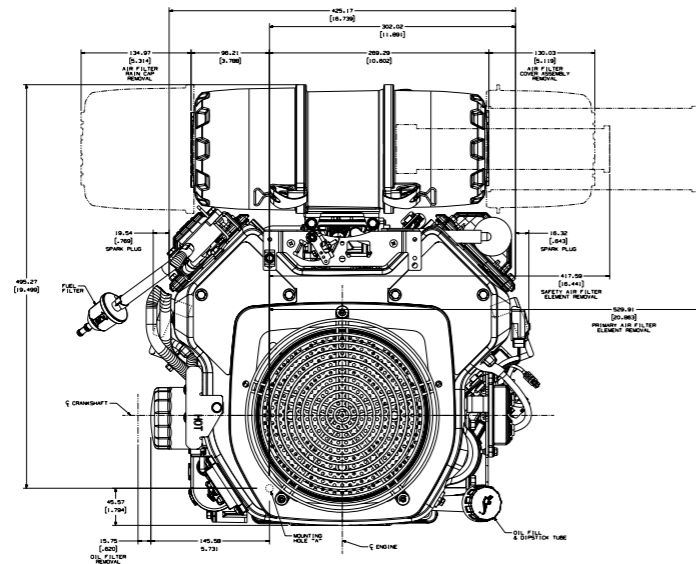
### REAL-TIME TROUBLESHOOTING

- EFI diagnostic software provides instant data on engine performance
- Works where you are—in the field, in the shop, anywhere

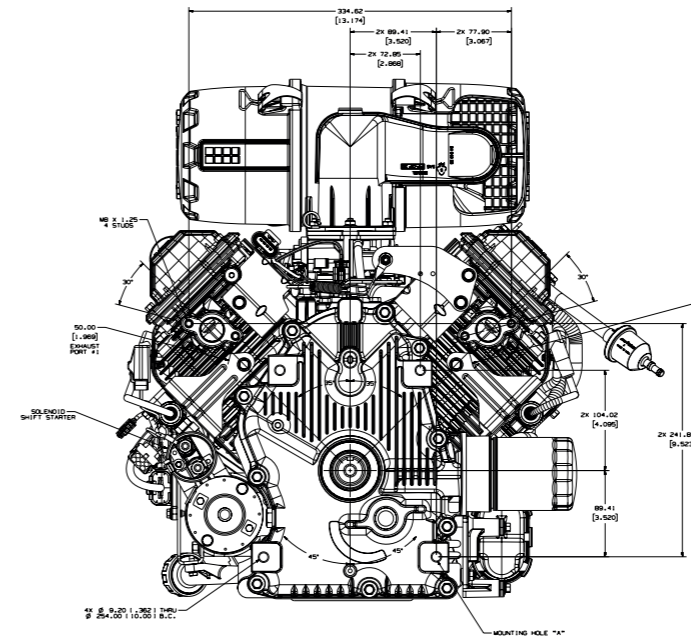
\*Compared to a comparable KOHLER carbureted engine under comparable loads and duty cycles. Based on 600 hours of annual operation.  
<sup>†</sup>Engine class being twin-cylinder, general-purpose gasoline engines.

# KOHLER® COMMAND PRO® EFI 19-26.5 HP Vertical-Shaft Engines

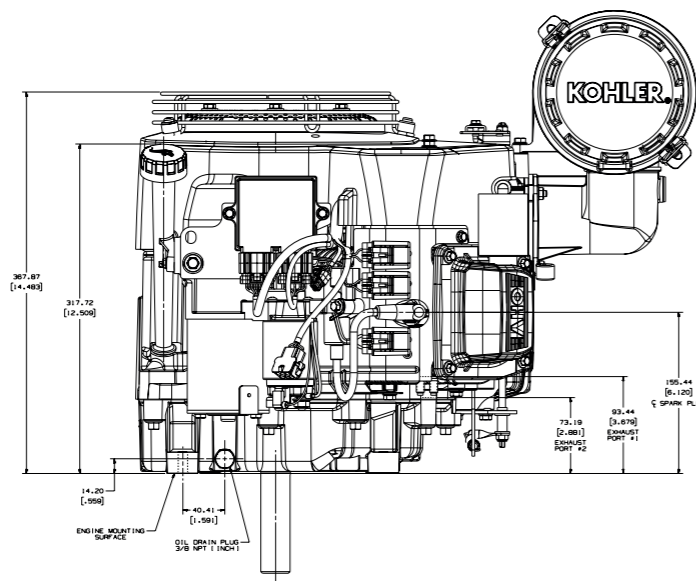
## HEAVY-DUTY AIR CLEANER



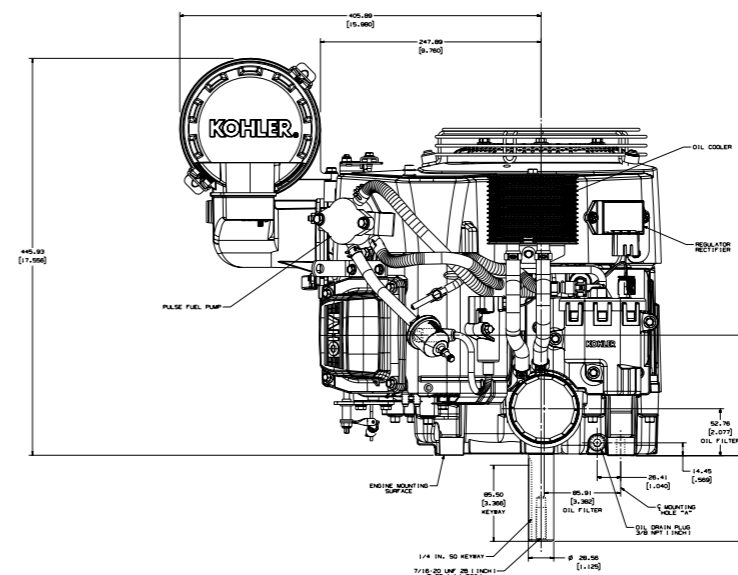
Top view



PTO view

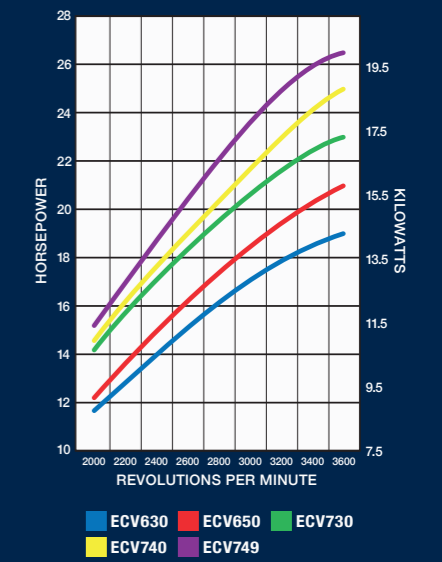


Starter side view

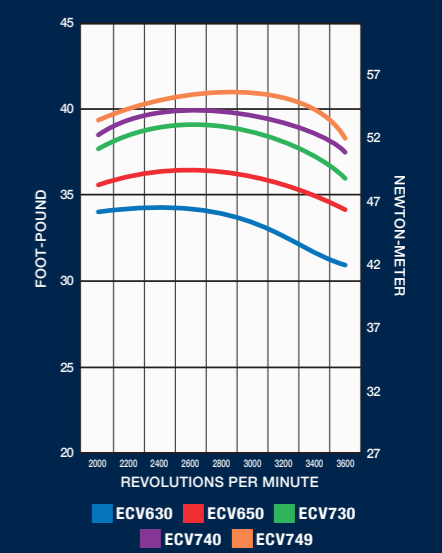


Oil filter side view

## MAXIMUM POWER



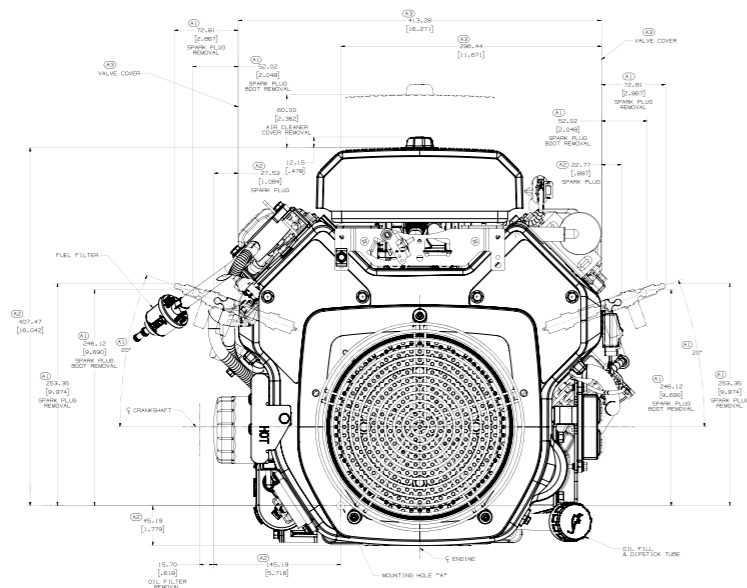
## MAXIMUM TORQUE



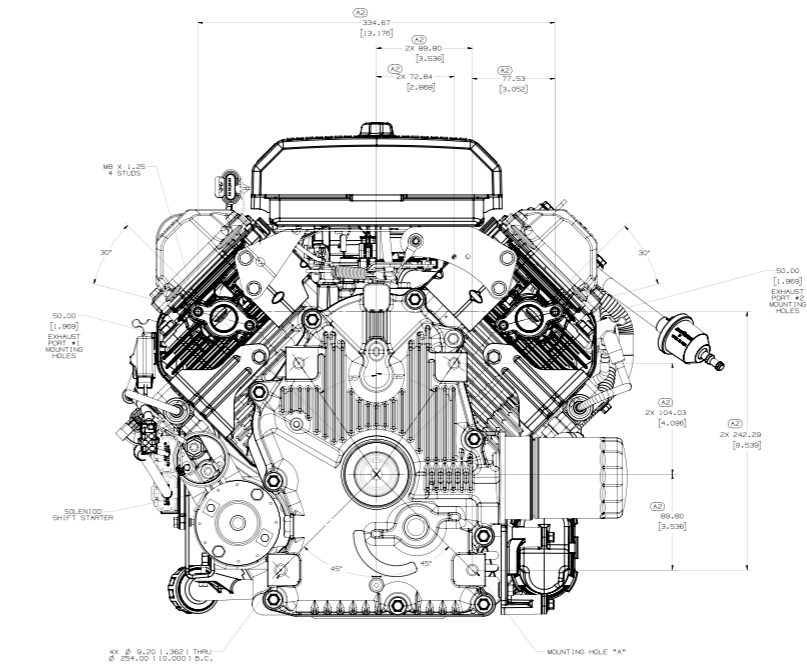
# KOHLER® COMMAND PRO® EFI

## 19-26.5 HP Vertical-Shaft Engines

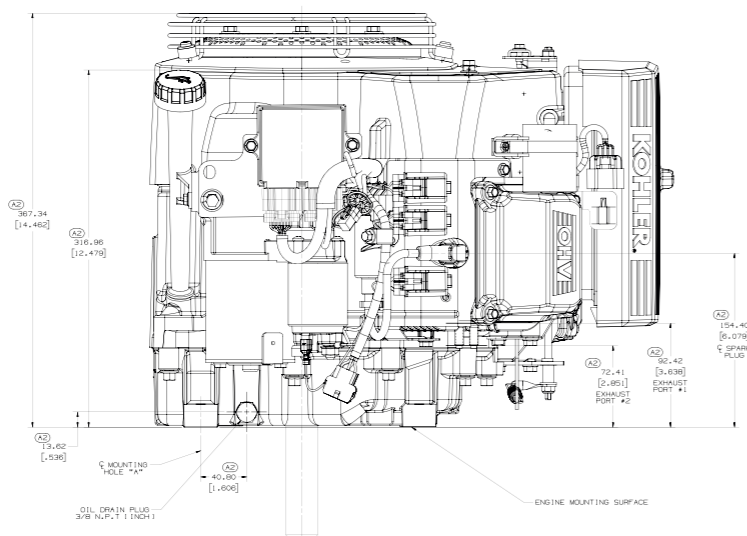
### LOW-PROFILE AIR CLEANER



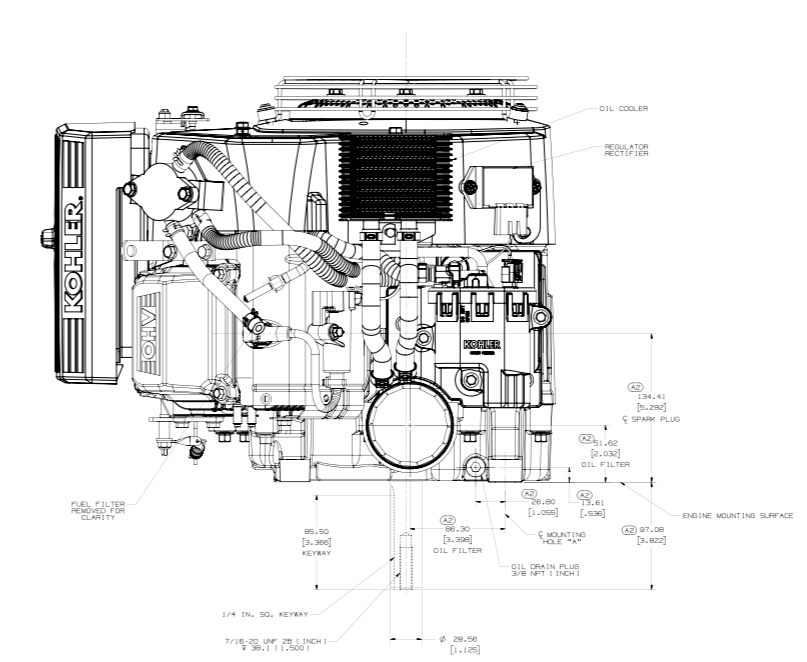
Top view



PTO view



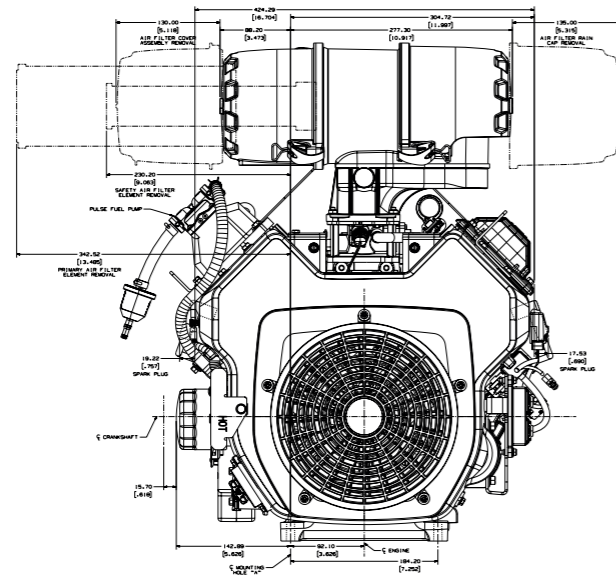
Starter side view



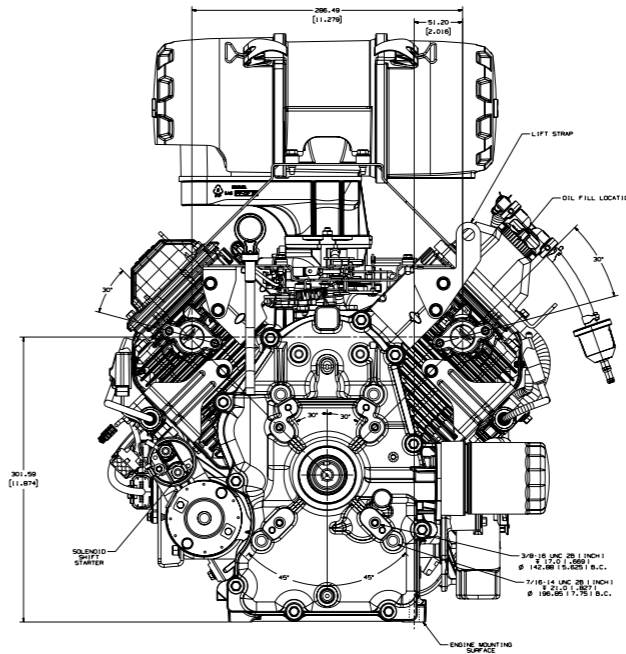
Oil filter side view

# KOHLER® COMMAND PRO® EFI 19-26.5 HP Horizontal-Shaft Engines

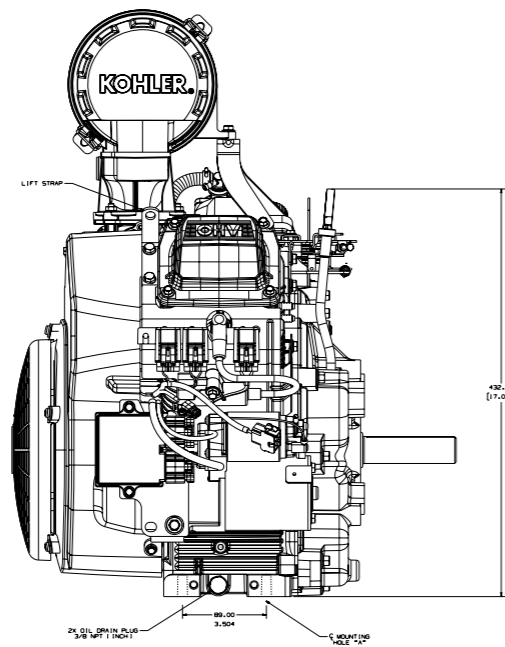
## HEAVY-DUTY AIR CLEANER



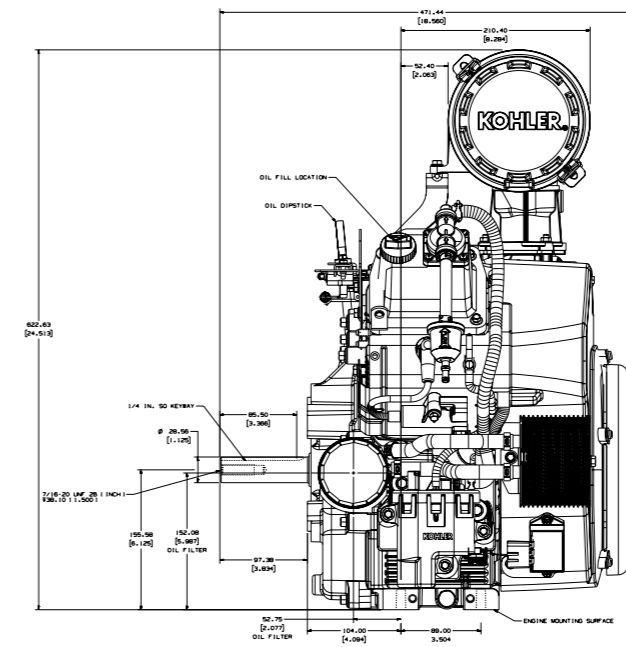
Top view



PTO view

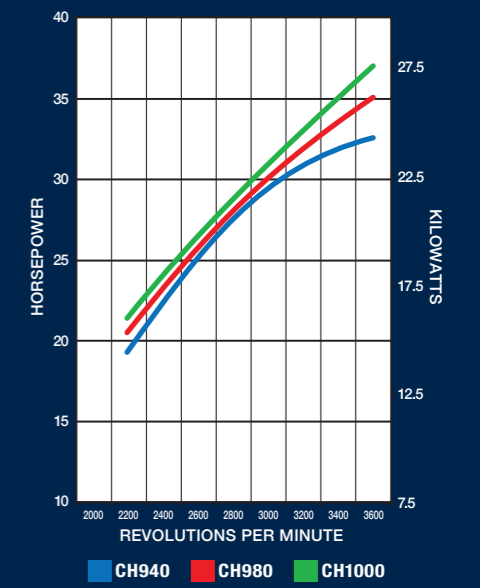


Starter side view

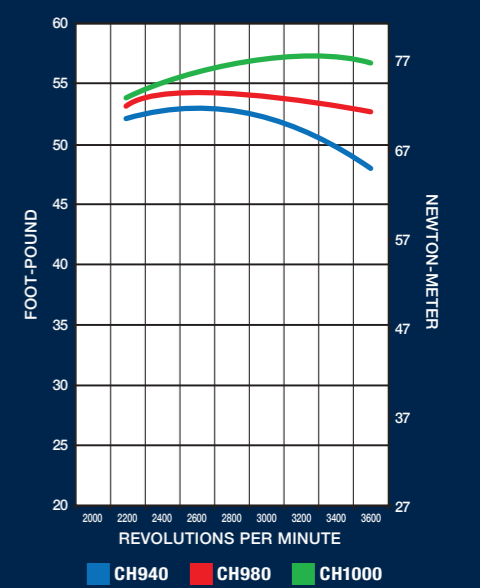


Oil filter side view

## MAXIMUM POWER



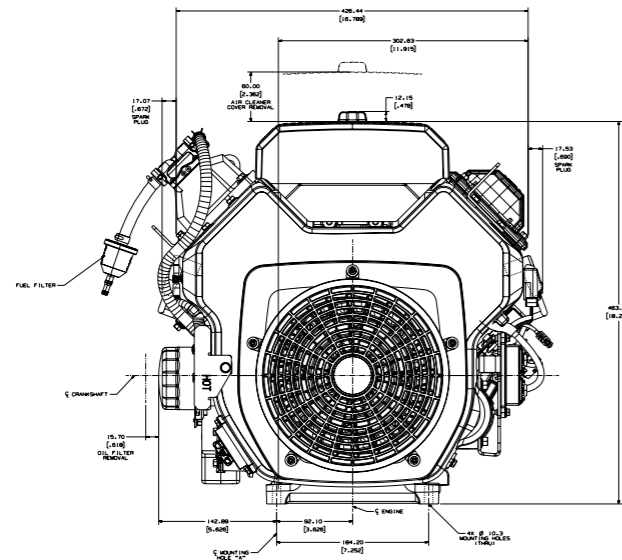
## MAXIMUM TORQUE



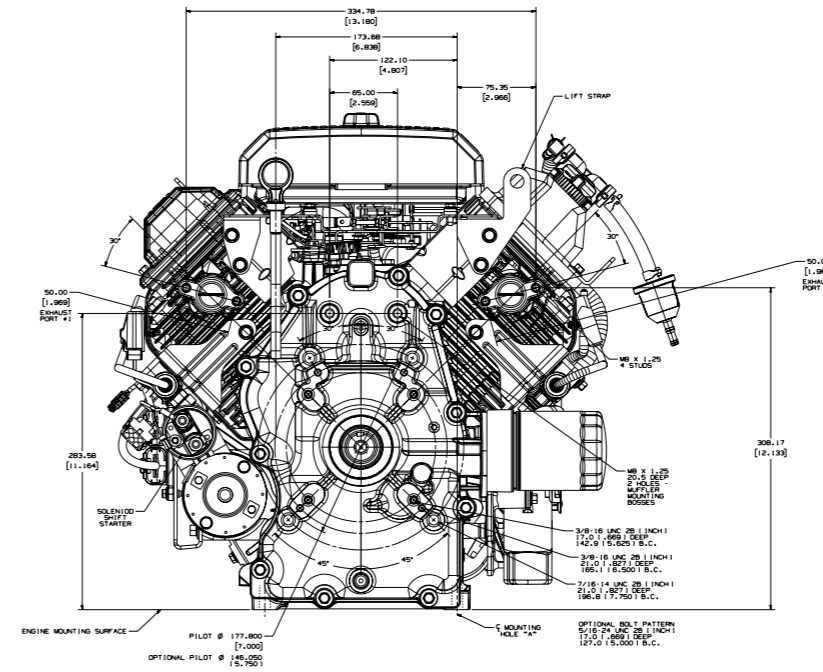
# KOHLER® COMMAND PRO® EFI

## 19-26.5 HP Horizontal-Shaft Engines

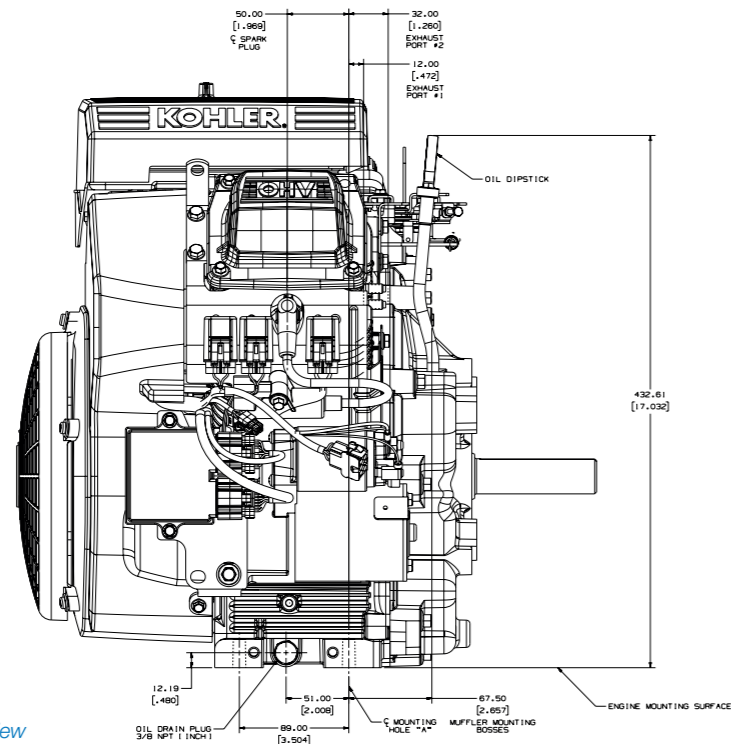
### LOW-PROFILE AIR CLEANER



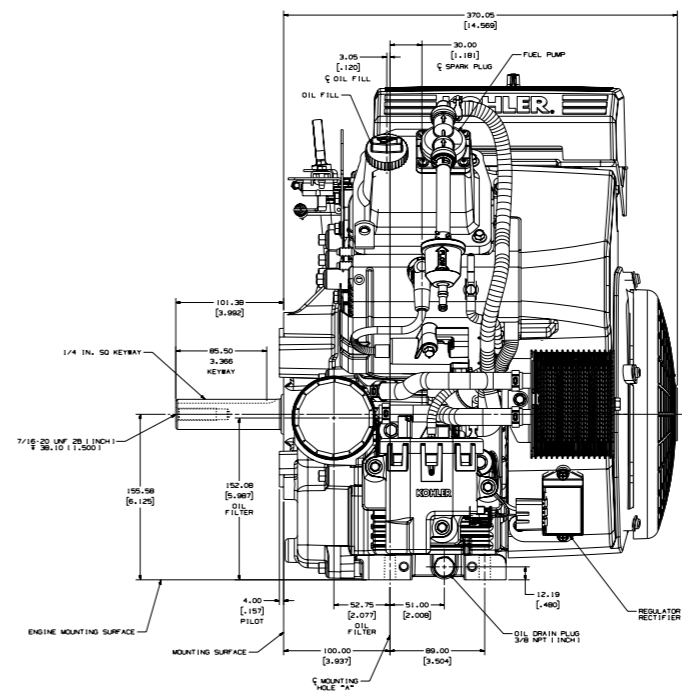
Top view



PTO view



Starter side view



Oil filter side view

# FEATURES AND OPTIONS



ECV630



ECH650



ECV730

## STANDARD FEATURES

Closed-loop electronic fuel injection	Hardened crank journals	Dual-element air cleaner	Oil Sentry™ automatic warning/shutdown system (installed, not wired)
20-amp charging, regulated	PTO side-load sleeve bearing	Dual oil drains	Full-pressure lubrication/full-flow filter
Yellow oil cap and dipstick	Hydraulic valve lifters	Electronic ignition	Three year limited warranty
Large filters (air, oil, fuel)	12-volt solenoid shift electric start	Solenoid fuel shutdown	

## POPULAR FACTORY OPTIONS

Remote oil filter	Engine-mounted controls (CH models)	Choice of air cleaners (flat, HD, WAWB)	Additional crank sizes
Variety of mufflers	Five % governor	Guard for rotating grass screen	Flywheel PTOs
Exhaust deflector	SAE A/B pump mounts	Chopper-type grass screen	Oil cooler
Spark arrestor			

Model		ECH/ECV630	ECH/ECV650	ECH/ECV730	ECH/ECV740	ECH/ECV749
*Power @ 3600 rpm	Max. hp (kW)	19 (14.2)	21 (15.7)	23 (17.2)	25 (18.6)	26.5 (19.8)
Displacement	cu in (cc)	42 (694)			45 (747)	
Bore	in (mm)	3.2 (80)			3.3 (83)	
Stroke	in (mm)				2.7 (69)	
Peak Torque @ Maximum rpm	ch ft lb (Nm)	34.2 (46.4) @ 2200	34.5 (46.8) @ 2600	38.1 (51.7) @ 2200	38.8 (52.6) @ 2400	40.0 (54.2) @ 2600
Peak Torque @ Maximum rpm	cv ft lb (Nm)	34.2 (46.4) @ 2200	36.4 (49.4) @ 2600	39.1 (53.0) @ 2600	39.9 (54.1) @ 2400	40.9 (55.5) @ 3000
Compression Ratio		8.7:1			9.1:1	
Dry Weight	lb (kg)	108 (49)				
Oil Capacity	U.S. qt (L)	2 (1.9)				
Lubrication		Full-pressure with full-flow filter				
Dimensions L x W x H	in (mm)	a/b				
*a = CH	flat air cleaner	14.6(371) x 18.2 (462) x 18.7 (475)				
	heavy-duty air cleaner	14.8 (376) x 18.9 (480) x 24.5 (622)				
*b = CV	flat air cleaner	17.9 (455) x 18.3 (465) x 14.5 (368)				
	heavy-duty air cleaner	21.3 (541) x 18.5 (470) x 17.6 (447)				

\*Horsepower ratings meet Society of Automotive Engineers Small Engine Test Code J1940. Actual engine horsepower is lower and affected by, but not limited to, accessories (air cleaner, exhaust, charging, cooling, fuel pump, etc.), application, engine speed and ambient operating conditions (temperature, humidity and altitude). For more information, contact Kohler Co. Engine Engineering. Kohler reserves the right to change product specifications, designs and equipment without notice and without incurring obligation.

\*L = grass screen to PTO mounting face W = spark plug to spark plug H = top of air cleaner cover to mounting feet  
 \*L = blower housing to air cleaner cover W = spark plug to spark plug H = top of air cleaner cover to mounting surface

**THE FIRST**  
**NAME IN** **EFI**  
*20 Years and Counting*





