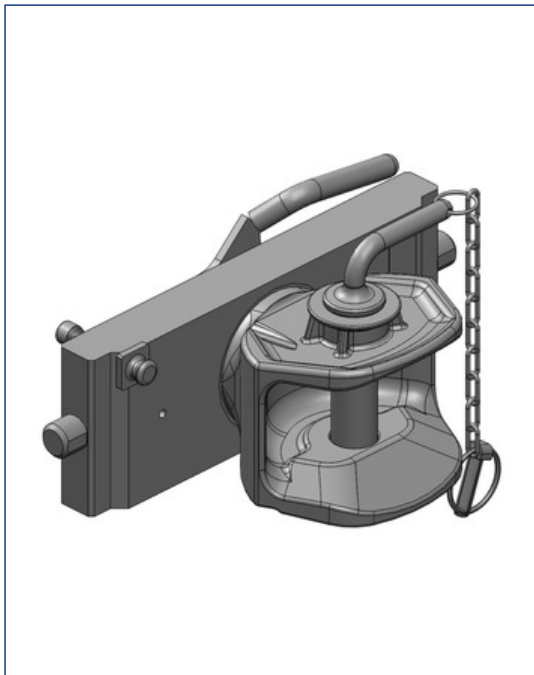


Art.Nr. 03.3305.011-A02 | Clevis Types | Standard with Adapter Plate



Assembly Dimension Scharmüller S32 (330/25/32)
 Non Automatic Clevis Type (Bolt 31mm)

Alternative color

03.3305.011-A02 (Black) | 03.3305.011-A16 (Kubota-Grey) | 03.3305.011-A17 (JD-Green) |
 03.3305.011-A23 (Kioti-Grey)

Technical Values*

Adapter Plate Height (mm): 120 | **Max. Permissible D-Value (kN):** 82,4 |
Max. Permissible Vertical Load (kg): 2000 | • Height Adjustable with Grabhandle

Attachments

<p>Art.Nr. 02.451.125 Coupler Bolts</p> 	<p>Art.Nr. 02.451.225 Coupler Bolts</p> 	<p>Art.Nr. 02.451.370 Coupler Bolts</p> 	<p>Art.Nr. 02.451.600 Coupler Bolts</p> 	<p>Art.Nr. 02.451.750 Coupler Bolts</p> 
<p>Art.Nr. 02.451.850 Coupler Bolts</p> 	<p>Art.Nr. 10.443.632.0 Coupler Bolts</p> 			